

# Specification, Load Pins (SGLP)



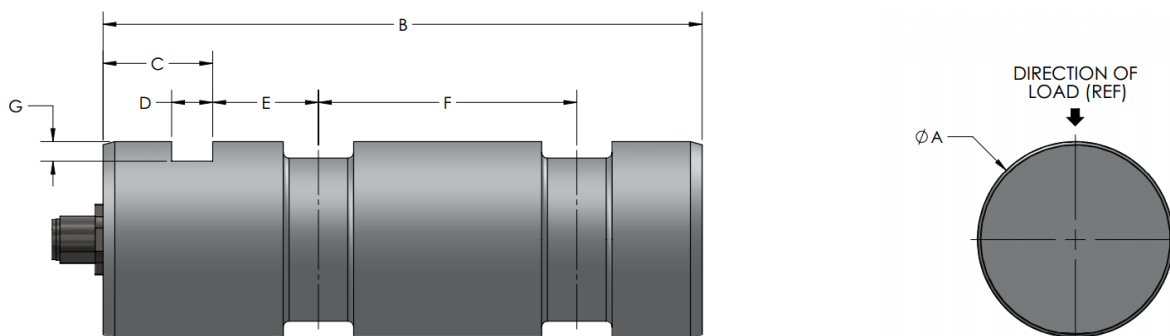
## Product Description

Load Pins are stainless steel shear pin type load cell with improved temperature performances. These load pins are designed to be used in hostile environments. Standard pins are offered with cable and connector versions. Many options and customized sizes are available on request.

## Specification

Parameter	Range	Notes
Nominal load	5kN, 10kN, 20kN, 50kN, 100kN, 200kN	
Overload	150% FS	No influence on measurement
Overload limit	500% FS	
Sensitivity	1 mV/V $\pm$ 3%	
Non-linearity	$\pm$ 0.5% FS nominal	MAX 1% FS
Repeatability	$\pm$ 0.1% FS nominal	MAX 0.2% FS
Total error	MAX 1% FS	Non-linearity and hysteresis
Zero balance	$\pm$ 1% FS MAX	
Zero temp coefficient	$\pm$ 0.02% FS / °C	
Span temp coefficient	$\pm$ 0.02% FS / °C	
Operating temp range	-20 °C TO 70 °C	Ideal operating temp range
Storage temperature range	-20 °C TO 70 °C	
Cable length	3 m (For cable version)	Optional 6m, 12m and 20m
Connector	LUMBERG M12 male connector, RSFM 5/0.5 M (For connector version)	
Protection class	IP67	
Mechanical fit	G7/h6	
Excitation	5V Recommended, 10V Max	

## Dimensions (in mm)



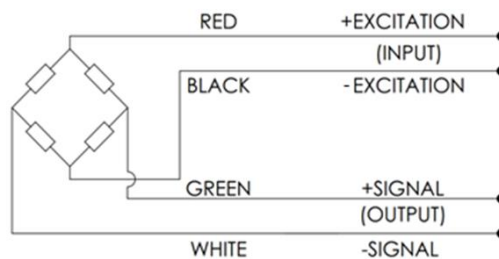
# Specification, Load Pins (SGLP)

Model	Capacity (kN)	A	B	C	D	E	F	G
SGLP-1	5	25h6	80	16	5.2	13.5	31	3.5
SGLP-2	10	25h6	80	16	5.2	13.5	31	3.5
SGLP-3	20	25h6	80	16	5.2	13.5	31	3.5
SGLP-4	50	35h6	108	23	6.3	18	47	6
SGLP-5	100	50h6	153	28	10.5	27	66	5
SGLP-6	200	65h6	188	28	10.5	32.5	90	10

## Wiring

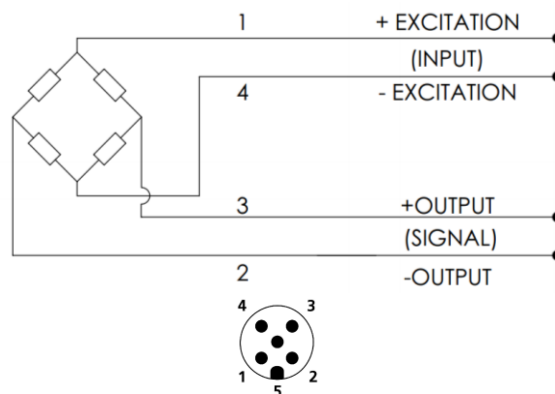
### Cable Version

- Cable version shear pin is provided with 22 AWG cables



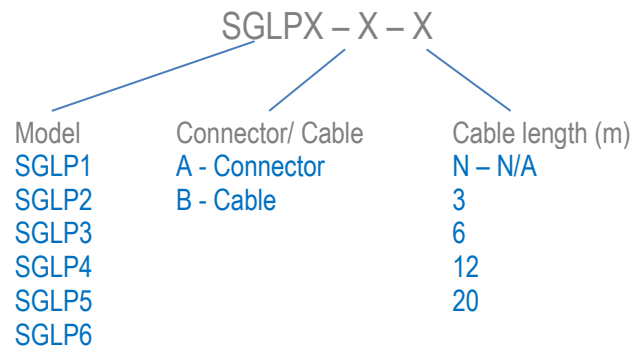
### Connector Version

- Connector version shear pins are provided with a LUMBERG M12 male connector, RSFM 5/0.5 M



## Order Details

To order a specific load pin required, compile and quote a unique part number from the illustration below



EX: SGLP2-A-N