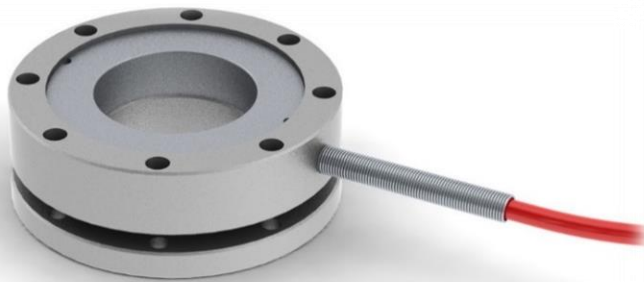


# High Temp. Press Force Load Cell (SGPFHT)



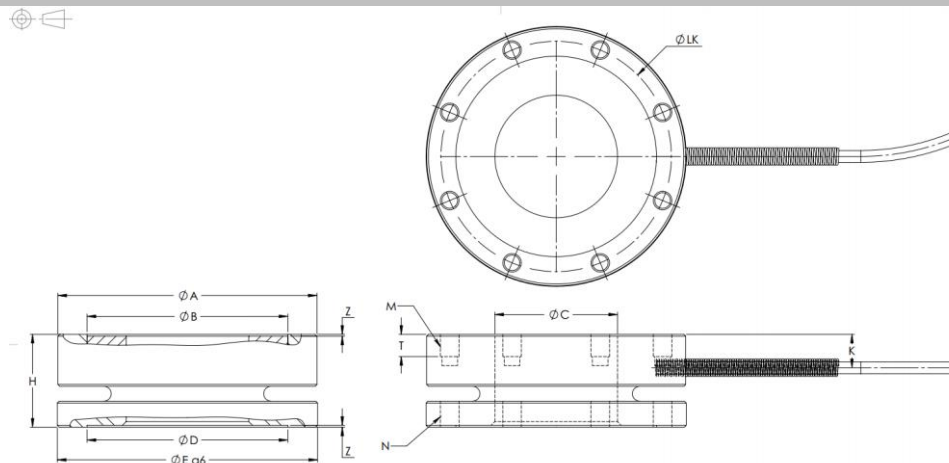
## Product Description

High Temp. Press Force Load Cells are strain gauge-based transducers for press-force monitoring, specially designed for high temperature applications. This type offers capacities up to 100 kN & 20klbf with compensated temperature performances. Cable is contained within a stainless-steel spring for strain relief purposes for additional protection.

## Specification

Parameter	Range	Notes
Capacity (kN)	2,5,10, 20, 50 and 100	Full scale (FS)
Capacity (klbf)	0.5, 1, 2, 5, 10 and 20	Full scale (FS)
Safe overload	200% FS	No influence on measurement
Ultimate load	>300% FS	
Sensitivity (mV/V)	1 +/- 20%	Rated output (RO)
Non-linearity	+/- 0.25% FS	+/- 0.5% FS MAX
Hysteresis	+/- 0.25% FS	+/- 0.5% FS MAX
Repeatability	+/- 0.1% FS MAX	
No load offset	+/- 2% RO	
Zero temp coefficient	0.02% of RO / °C	
Sensitivity temp coefficient	0.02% of load / °C	
Compensated temp range	25 °C TO 120 °C	
Operating temp range	-40 °C TO 120 °C	
Bridge resistance (Ohms)	700	Nominal
Excitation voltage (V)	5 Recommended, 10 MAX	
IP rating	60	
Material	Stainless steel	

## Dimensions



# High Temp. Press Force Load Cell (SGPFHT)

## Metric version (in mm)

Nominal Force [kN]	A	B	C	D	E	H	K	Z	M	T	LK	N
2 / 5 / 10 / 20	69.7	54	33	54	70	25	9	0.5	M5-0.8, 8 x 45°	6	62	M5-0.8, 8 x 45°
50 / 100	111.5	97	70	97	112	35	13	1.1	M6-1, 8 x 45°	10	104	M6-1, 8 x 45°

## Pound version (in inch)

Nominal Force [klbf]	A	B	C	D	E	H	K	Z	M	T	LK	N
0.5 / 1 / 2 / 5	2.74	2.13	1.30	2.13	2.756	0.98	0.35	0.02	#10-24, 8 x 45°	0.24	2.44	#10-24, 8 x 45°
10 / 20	4.39	3.82	2.76	3.82	4.409	1.38	0.51	0.04	#12-24, 8 x 45°	0.39	4.09	#12-24, 8 x 45°

## Wiring

Sensor is provided with 3m, 4x22 AWG wire within a braided shielded cable (Other lengths are available on request).

