



## Product Description

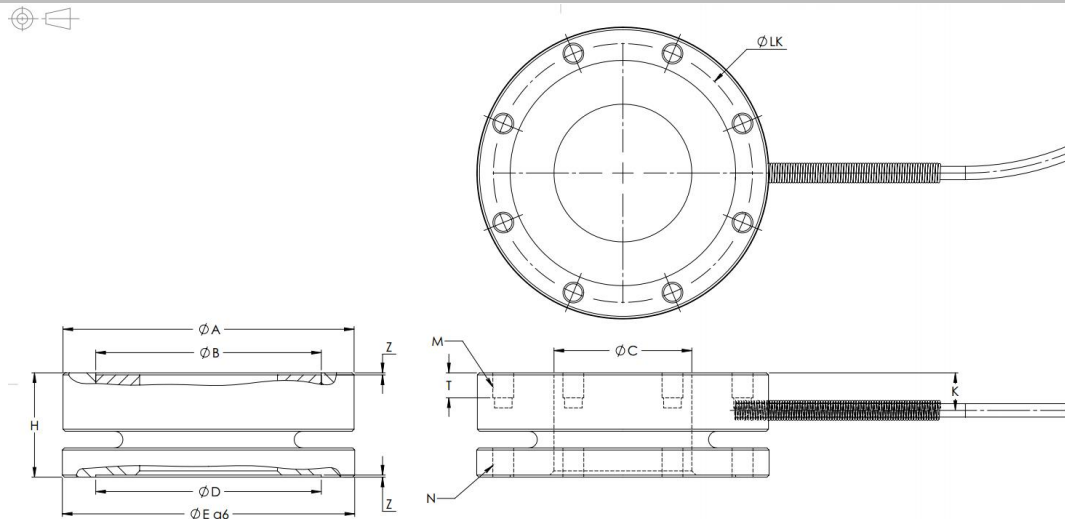
Press Force Load Cells are strain gauge-based transducers for press-force monitoring. This type offers capacities up to 100 kN and 20 klbF with compensated temperature performances. Cable is contained within a stainless-steel spring for strain relief purposes for additional protection.

## Specification

Parameter	Range	Notes
Capacity (kN)	2,5,10, 20, 50 and 100	
Capacity (klbf)	0.5, 1, 2, 5, 10 and 20	
Safe overload	200% FS	No influence on measurement
Ultimate load	>300% FS	
Sensitivity (mV/V)	1 +/- 20%	Voltage, current loop or digital output versions are available on request
Non-linearity	+/- 0.25% FS	+/- 0.5% FS MAX
Hysteresis	+/- 0.25% FS	+/- 0.5% FS MAX
Repeatability	+/- 0.1% FS MAX	
No load offset	+/- 2% RO	
Zero temp coefficient	0.02% RO / °C	
Sensitivity temp coefficient	0.02% of load / °C	
Compensated temp range	-15 °C TO 70 °C	
Operating temp range	-20 °C TO 70 °C	
Bridge resistance (Ohm)	700	+/- 100
Excitation voltage (V)	5 recommended	10 MAX
IP rating	64	
Material	Stainless steel	

# Press Force Load Cell (SGPF)

## Dimensions



### Metric version (in mm)

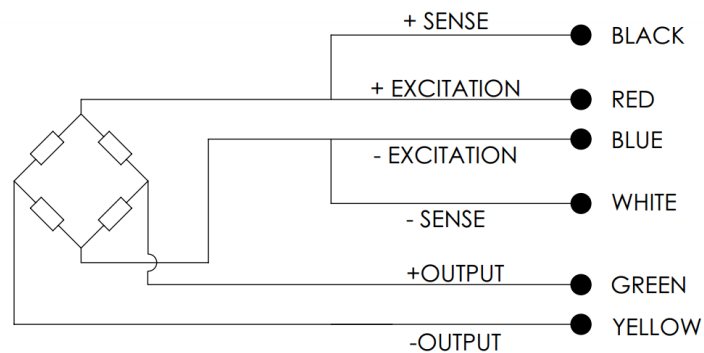
Nominal Force [kN]	A	B	C	D	E	H	K	Z	M	T	LK	N
2 / 5 / 10 / 20	69.7	54	33	54	70	25	9	0.5	M5-0.8, 8 x 45°	6	62	M5-0.8, 8 x 45°
50 / 100	111.5	97	70	97	112	35	13	1.1	M6-1, 8 x 45°	10	104	M6-1, 8 x 45°

### Pound version (in inch)

Nominal Force [klbf]	A	B	C	D	E	H	K	Z	M	T	LK	N
0.5 / 1 / 2 / 5	2.74	2.13	1.30	2.13	2.756	0.98	0.35	0.02	#10-24, 8 x 45°	0.24	2.44	#10-24, 8 x 45°
10 / 20	4.39	3.82	2.76	3.82	4.409	1.38	0.51	0.04	#12-24, 8 x 45°	0.39	4.09	#12-24, 8 x 45°

## Wiring

Sensor is provided with 3m, 30 AWG wire (Other lengths are available on request). Voltage, current loop or digital output versions are also available on request.



Capacity	Deflection (Nom) mm [in]
2kN, 0.5klbf	0.02 [.001]
5kN, 1klbf	0.03 [.001]
10kN, 2klbf	0.03 [.001]
20kN, 5klbf	0.05 [.002]
50kN, 10klbf	0.10 [.004]
100kN, 20klbf	0.15 [.006]