

# Miniature Column Load Cell (SGMCLC)



## Product Description

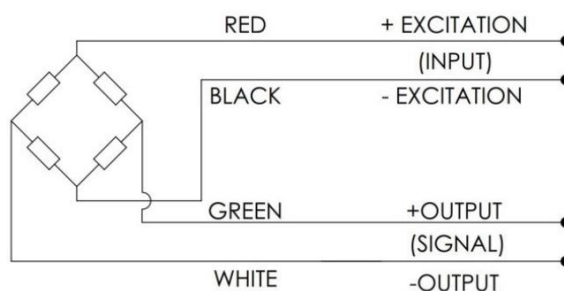
Miniature Column Load Cells are designed for high capacity compression applications. This type is offered in stainless steel with a raised surface radius to overcome off centre loading.

## Specification

Parameter	Range	Notes
Capacity (lbf)	2k, 5k, 7.5k, 10k, 15k, 30k	
Capacity (kN)	10, 25, 50, 100	
Sensitivity	2mV/V nominal	
Safe overload	150% FS	No effect on performance
Zero signal error	±1% FS	
Hysteresis	±1% FS	
Linearity error	±1% FS	
Zero temp coefficient	0.02% FS / °C	
Span temp coefficient	0.02% FS / °C	
Compensated temp range	-15 °C TO 70 °C	Wider range available to order
Operating temp range	-20 °C TO 70 °C	Wider range available to order
Output resistance	350 Ohms nom.	
Input resistance	350 Ohms nom.	
Excitation voltage	18 V max	
IP Rating	IP64	
Material	17-4PH Stainless steel	

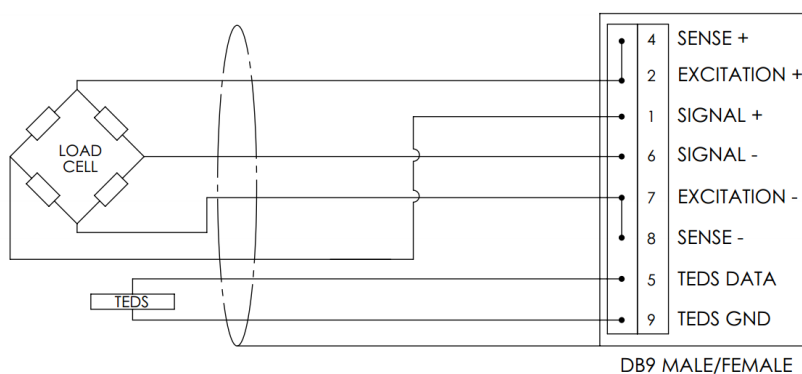
## Wiring

- The sensor is provided with a #32 AWG 4-conductor braided shielded cable with an outer jacket of 0.087" [2.2 mm] diameter, 5 ft [1.5m] long, with no connection between the shield and the sensor body. For additional protection, the cable is contained within a stainless steel spring for strain relief purposes for the first 1" [25 mm].

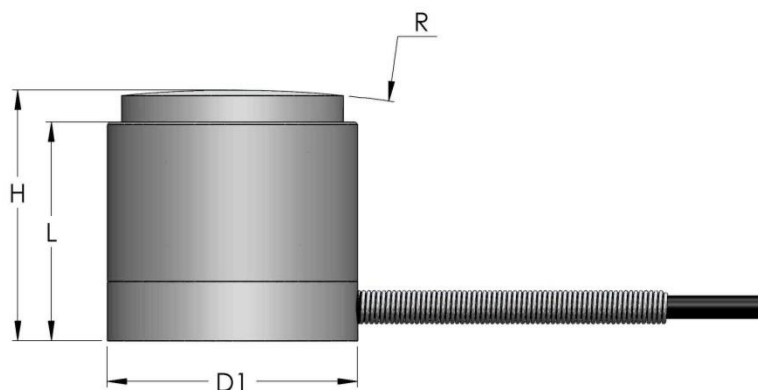


# Miniature Column Load Cell (SGMCLC)

- Connector pin configuration as shown below (for the with-connector version)



## Dimensions (in mm)



Capacity (lbf)	Capacity (kN)	D1 in [mm]	H in [mm]	L in [mm]	R in [mm]
2k, 5k	10, 25	.62 [15.9]	.65 [16.5]	.59 [15]	4 [101.6]
7.5k, 10k	50	.88 [22.4]	.88 [22.4]	.77 [19.6]	4 [101.6]
15k, 30k	100	1.25 [31.8]	1.13 [28.7]	1.06 [26.9]	5 [127]