



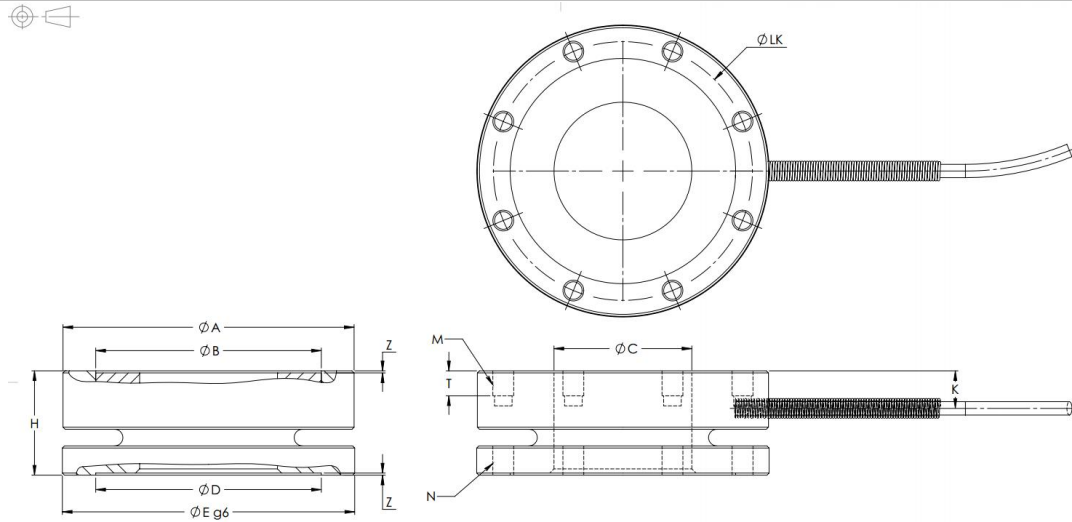
Product Description

Press Force Load Cells are strain gauge based transducers for press-force monitoring. **This load cell can also be used to measure tension forces.** This type offers capacities up to **1000 N** with compensated temperature performances. Cable is contained within a stainless steel spring for strain relief purposes for additional protection.

Specification

Parameter	Range	Notes
Capacity (N)	500 & 1000	Both tension and compression
Safe overload	200% FS	No influence on measurement
Ultimate load	>300% FS	
Sensitivity (mV/V)	1 +/- 20%	Compression +ve
Non-linearity	+/- 0.25% FS	+/- 0.5% FS MAX
Hysteresis	+/- 0.25% FS	+/- 0.5% FS MAX
Repeatability	+/- 0.1% FS MAX	
No load offset	+/- 2% RO	
Zero temp coefficient	0.02% RO / °C	
Sensitivity temp coefficient	0.02% RO / °C	
Compensated temp range	-15 °C TO 70 °C	
Operating temp range	-40 °C TO 70 °C	
Bridge resistance (Ohm)	700	
Excitation voltage (V)	2-12	
IP rating	64	
Material	Aluminium	

Dimensions



Metric version (in mm)

A	B	C	D	E	H	K	Z	M	T	LK	N
69.7	54	33	54	70	25	9	0.5	M5-0.8, 8 x 45°	6	62	M5-0.8, 8 x 45°

Wiring

Sensor is provided with 3m, 28 AWG wire (Other lengths are available on request). Voltage, current loop or digital output versions are also available on request.

