



Product Description

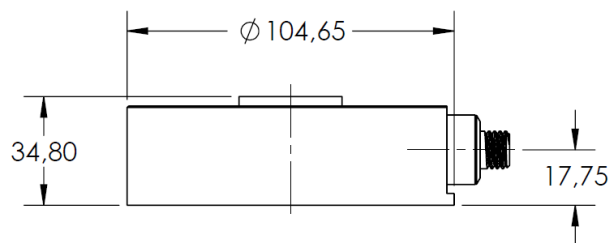
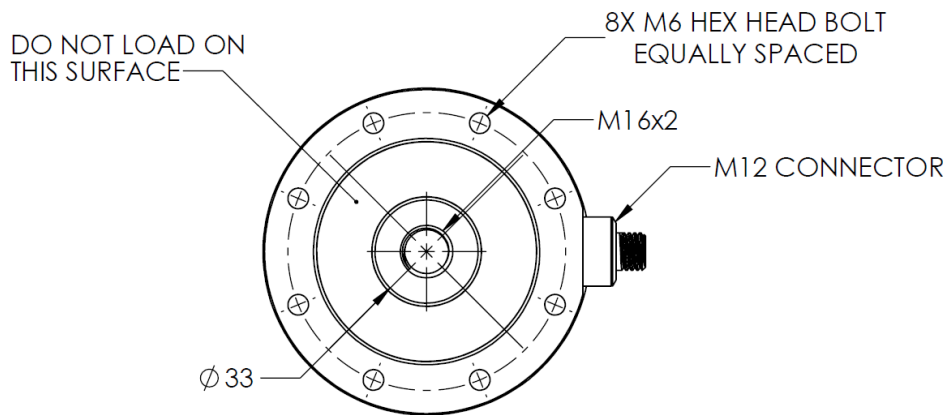
Compact Low-Profile, Medium capacity load cells are fully stainless steel, hermetically sealed load cells with multiple shear beam internal structure, and fully integrated electronics to provide high level digital outputs. This type of load cell is easy to use for measuring tension or compression loads of 15kN (3,500lb), 20kN (4,500lbf) & 25kN and is capable of rejecting side forces that would otherwise affect accuracy.

Specification

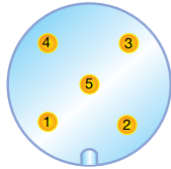
Parameter	Range	Notes
Rated load	15, 20 kN & 25kN	
	3500, 4500 lb	
Proof load	150% of rated load	No effect on calibration
Ultimate load	200% of rated load	No structural failure (deformation only)
Output at rated load (RO)	4-20mA	4mA at -25kN, 12mA at no load and 20mA at +25kN
Non-linearity	$\leq 0.1\%$ RO	
Hysteresis	$\leq 0.1\%$ RO	
Repeatability	$\leq 0.03\%$ RO	
Creep over 20 minutes	$\leq 0.03\%$ RO	
Output (span) temp coefficient	$\pm 0.005\%$ RO / °C	
Offset (zero) temp coefficient	$\pm 0.005\%$ RO / °C	
Compensated temp range	-10°C to +50°C	
Operating temp range	-40°C to +85°C	
Power supply	12 to 24 VDC, <40mA	
Insulation resistance	≥ 5 Gohm @ 50 VDC	
Connector	Digital O/P: 5-pin M12 male, hermetic	ESD safe, EMC compliant with EN61326-2-3:2006, CE marked.
Protection class	IP68	Fully stainless-steel construction, laser welded.
Weight	3 kg	
Bridge resistance	2000 Ohms Nom.	

Compact Low-Profile Load Cell

Dimensions – mm



Wiring Codes

Pin	Current Output
1	Supply (+)
2	Supply (-)
3	Current loop (+)
4	NC
5	NC
M12 pin layout	

Consult the user manual for further details and recommended wiring schemes.